

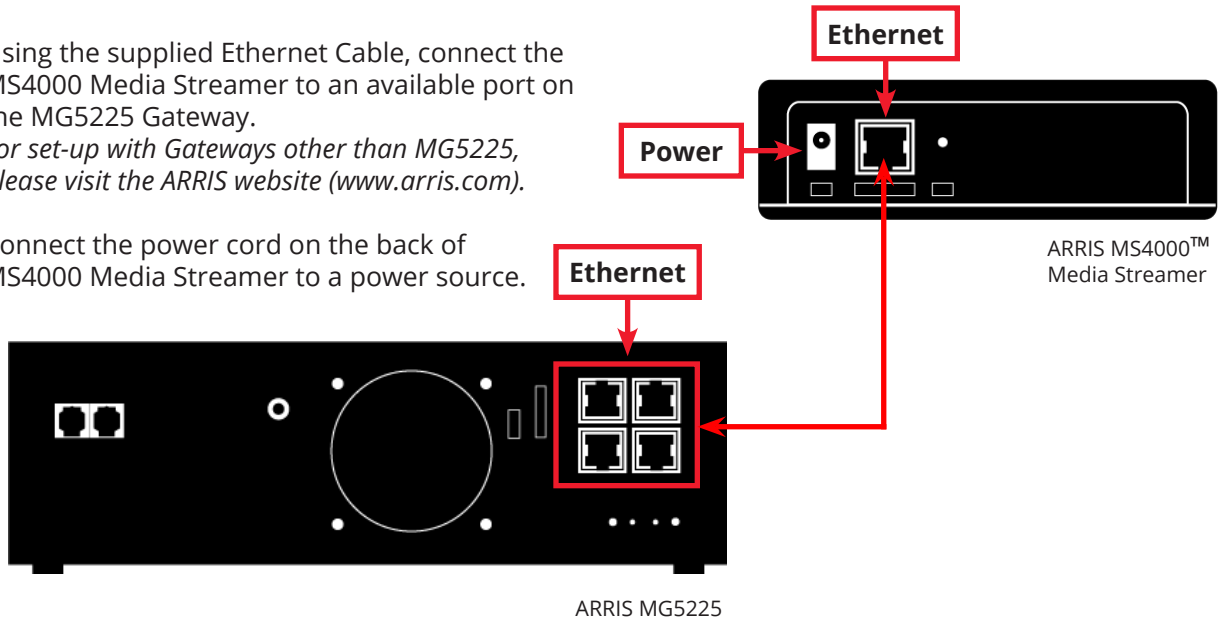
ARRIS MS4000™ Media Streamer Quickstart Guide

for use with the ARRIS Whole Home Solution



- 1 Using the supplied Ethernet Cable, connect the MS4000 Media Streamer to an available port on the MG5225 Gateway.
For set-up with Gateways other than MG5225, please visit the ARRIS website (www.arris.com).

- 2 Connect the power cord on the back of MS4000 Media Streamer to a power source.



On the front of the MS4000 Media Streamer, two LED lights will turn solid white upon completion of software updates. This may take a few minutes.

- 3 To stream entertainment to your mobile device, you will need the latest version of the ARRIS Whole Home Solution Mobile Application.
For first time use of each (newly installed) ARRIS Whole Home Solution Mobile Application with the MS4000 Media Streamer, the mobile device needs to be connected to the WiFi of the MG5225 Gateway.

On your mobile device (iPad®, iPhone® iPod touch®), download and install the latest ARRIS Whole Home Solution Mobile Application from the iTunes® App Store™.

Note: Your device must be running iOS7 or higher.

On your mobile device (Android™), download and install the latest ARRIS Whole Home Solution Mobile Application from Google Play™.

Note: Your device must be running Android™ 4.0 or higher.

- 4 Once the ARRIS Whole Home Solution Mobile Application is installed, launch the application and follow the on-screen instructions.

For more information, visit the ARRIS website (www.arris.com)



In the case that you may need to contact Customer Service, write down your Serial Number and your MAC Address located on the bottom of the MS4000 Media Streamer.

Serial number is located here

MAC Address is located here

